

## MICA METAL WELDED NOZZLE HEATERS



APPLICATION - HIGH TEMPERATURE PLASTICS.

CONSTRUCTION - MICA INSULATED METAL SHEATH HEATER FORMED TO THE REQUIRED DIAMETER COMPLETE WITH KIT BOX 1.0M STAINLESS BRAIDED NICKEL GLASS LEADS SET. CLAMP SET NUTS WELDED TO LUG.

TEMPERATURE RANGE - 0 TO 300 °C

TERMINATION - TYPES AVAILABLE

1. KIT BOX @ 45 DEG.
2. KIT BOX @ 90 DEG.
3. KIT BOX LAY FLAT
4. DOUBLE GLASS NICKEL LEADS
5. METAL BRAIDED LEADS
6. 3 PIN 10 AMP PLUG
7. HTS 2 PIN BASE - TOP ENTRY
8. HTS 2 PIN BASE - SIDE ENTRY
9. J/BOX C/W SIDE CABLE CLAMP
10. J/BOX C/W TOP CABLE CLAMP
11. EURO 3 PIN BASE
12. SCREW TERMINALS

FEATURES - TYPES AVAILABLE

13. THERMOCOUPLE BRACKET
14. THERMOCOUPLE TYPE "J"
15. THERMOCOUPLE TYPE "K"
16. PLAIN HOLES/SLOTS
17. WELDED SEALED HOLES/SLOTS

CATALOGUE NUMBER	DIAMETER MM	WIDTH MM	WATTAGE 45 kW/M <sup>2</sup>
MMN 30/20/80	30	20	80
MMN 32/30/125	32	30	125
MMN 32/40/200	32	40	200
MMN 32/50/220	32	50	220
MMN 35/30/125	35	30	125
MMN 35/40/150	35	40	150
MMN 38/20/100	38	20	100
MMN 38/30/150	38	30	150
MMN 38/40/200	38	40	200
MMN 40/30/150	40	30	150
MMN 40/40/200	40	30	200
MMN 40/50/250	40	50	250
MMN 45/30/175	45	30	275
MMN 45/50/260	45	50	260
MMN 50/40/275	50	40	275
MMN 50/50/300	50	50	300

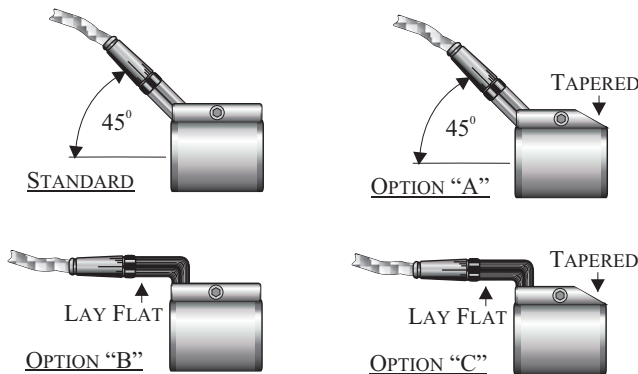
## 4MM DIA. TUBULAR NOZZLE HEATERS



APPLICATION - ENGINEERING AND HIGH TEMPERATURE PLASTICS.

CONSTRUCTION - STAINLESS STEEL MINERAL INSULATED TUBULAR HEATER FORMED TO THE REQUIRED DIAMETER. STAINLESS STEEL CLAMP BAND. COMPLETE WITH 1.0M STAINLESS BRAIDED NICKEL GLASS LEADS SET.

TEMPERATURE RANGE - 0 TO 500 °C



DESIGN PARAMETERS	MINIMUM	MAXIMUM
DIAMETER MM	20	250
WIDTH MM	10	150
VOLTAGE	110	240
WATT DENSITY	25 kW/M <sup>2</sup>	75 kW/M <sup>2</sup>

CATALOGUE NUMBER	DIAMETER MM	WIDTH MM	WATTAGE 75 kW/M <sup>2</sup>
TN 4/30/20/140	30	20	140
TN 4/32/30/225	32	30	225
TN 4/32/40/300	32	40	300
TN 4/32/50/375	32	50	375
TN 4/35/30/250	35	30	250
TN 4/35/40/330	35	40	330
TN 4/38/20/180	38	20	180
TN 4/38/30/270	38	30	270
TN 4/38/40/360	38	40	360
TN 4/40/30/285	40	30	285
TN 4/40/40/375	40	40	375
TN 4/40/50/470	40	50	470
TN 4/45/30/320	45	30	320
TN 4/45/50/530	45	50	530
TN 4/50/40/470	50	40	470
TN 4/50/50/550	50	50	550

### MANUFACTURING PLANTS

MELBOURNE TEL: (03) 9556 0222  
 SYDNEY TEL: (02) 9638 7055

ADELAIDE TEL: (08) 8445 1477  
 PERTH TEL: (08) 6278 4008

BRISBANE TEL: (07) 3341 5222  
 Web: www.helios.com.au