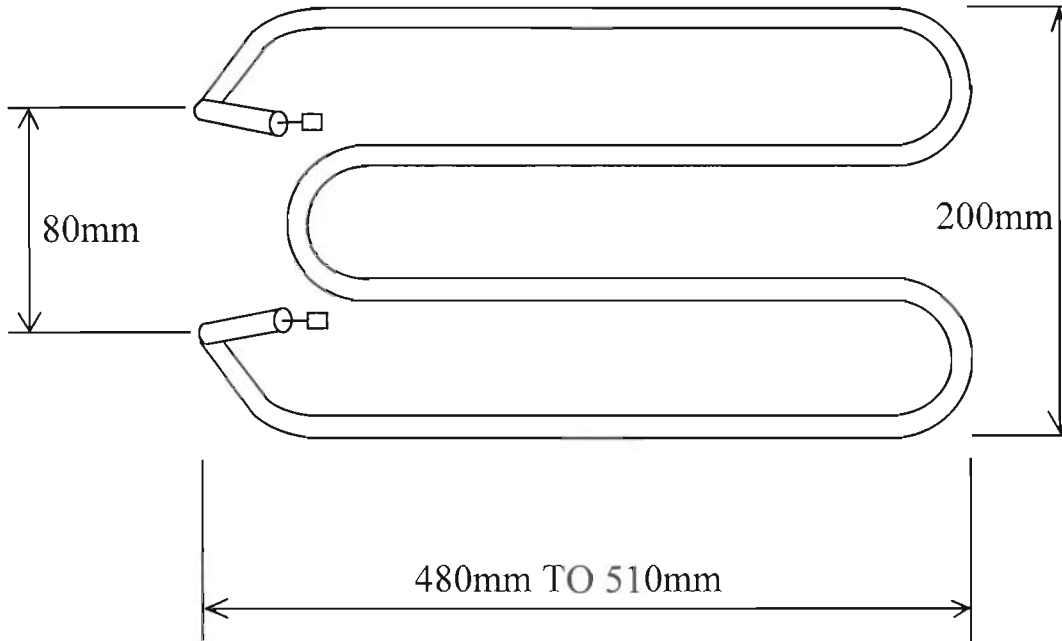
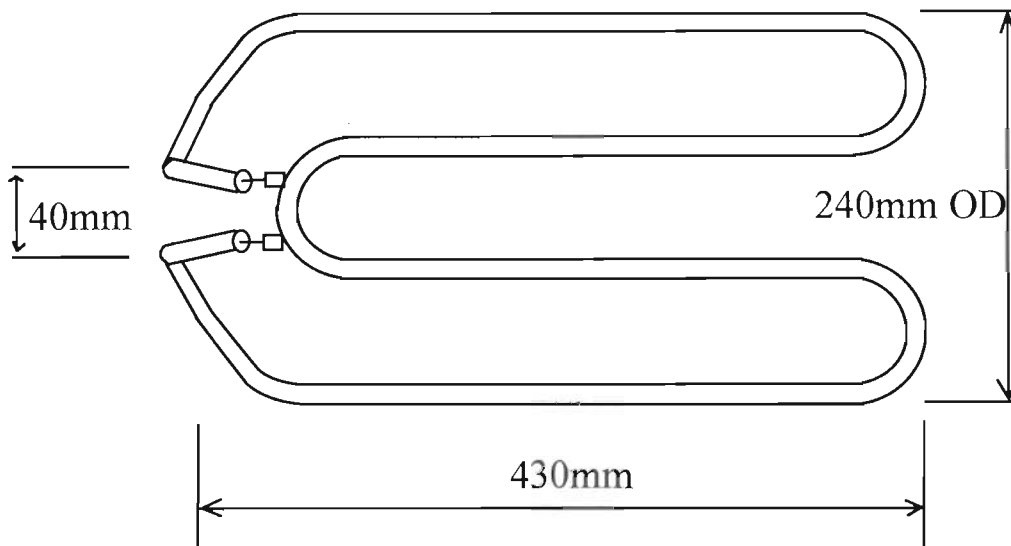




# BBQ ELEMENTS



X 1534A 2500W 240V



X 2574 2400W 240V