

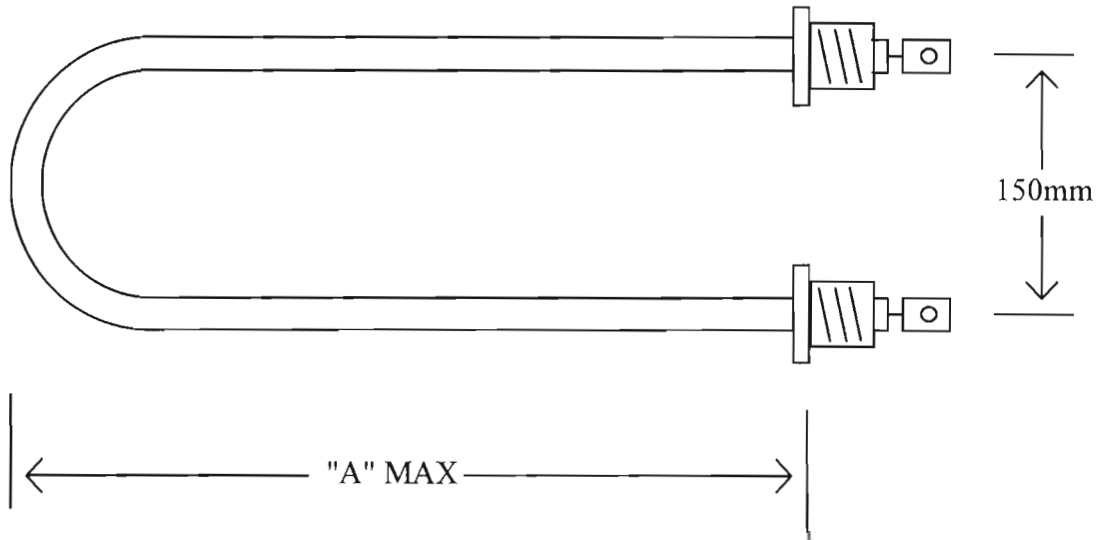


HOT FOOD BAR ELEMENTS

ALLOY SHEATHED ELEMENTS

SUITABLE FOR AIR OR WATER HEATING

SURFACE LOADING 32KW/SQ M

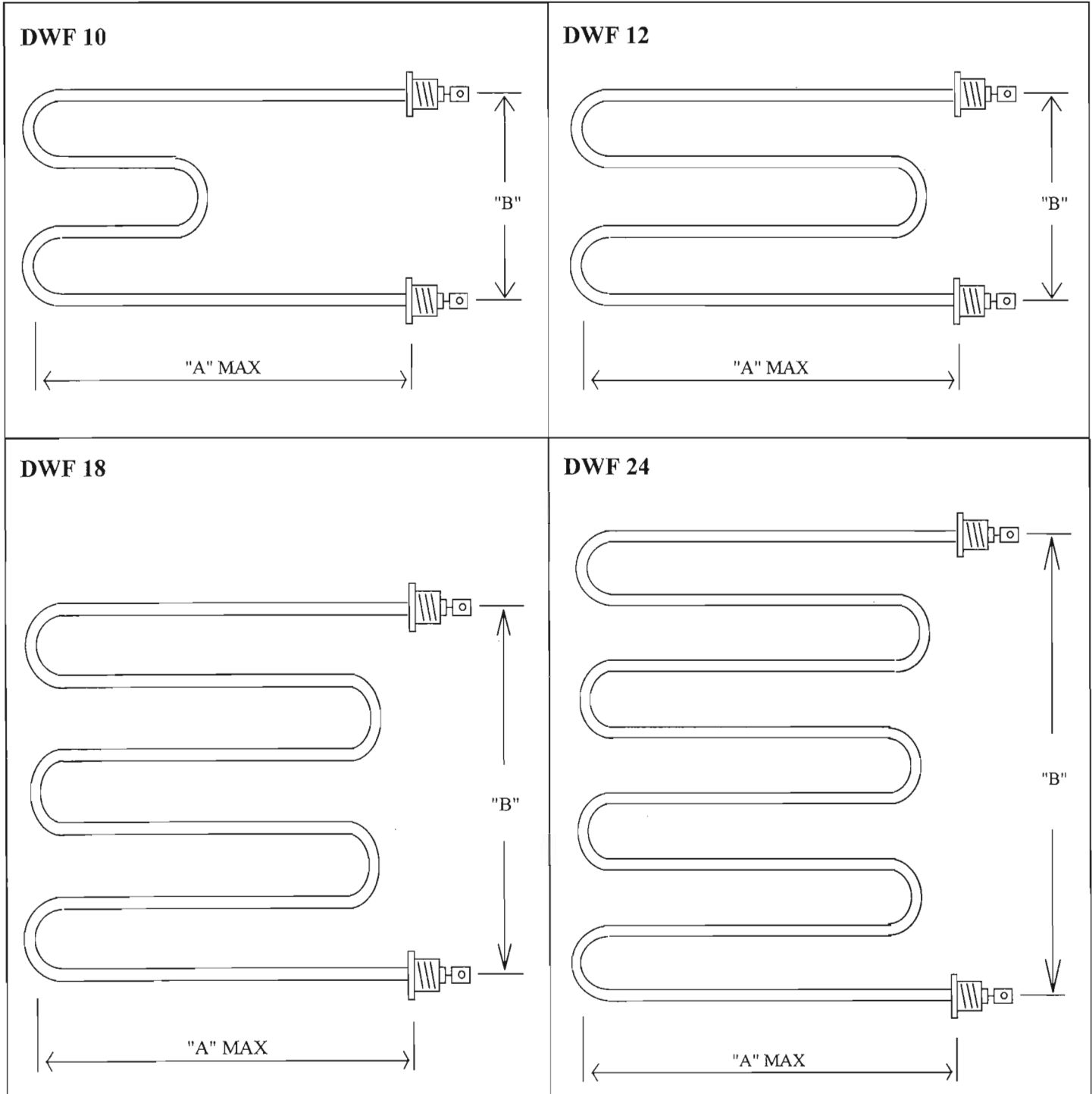


ELEMENTS COME WITH FIBRE WASHER, BRASS NUT AND 1/2" LONG BRASS GLANDS (GBG 2) TO FIT 16mm DIAMETER HOLE.

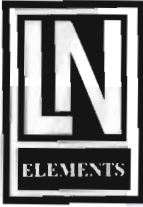
PART No.	RATING Watts	"A" MAX mm
DW 6	600	365
DW 10	1000	571
DW 12	1200	737
DW 15	1500	917
DW 18	1800	1114
DW 20	2000	1278
DW 24	2400	1470
DW 24A	2400	918
DW 24B	2400	1215

THESE ELEMENTS ARE MADE WITH A LOW SURFACE LOADING TO ALLOW THEM TO BE RUN WET OR DRY IN HOT FOOD BARS, EXCEPTING FOR PART No.s DW 24A AND DW 24B, WHICH WE WOULD RECOMMEND BE USED ONLY WHEN COVERED BY WATER. THESE ELEMENTS ARE ALSO AVAILABLE IN STRAIGHT FORM AS SHOWN ON PAGE 53.

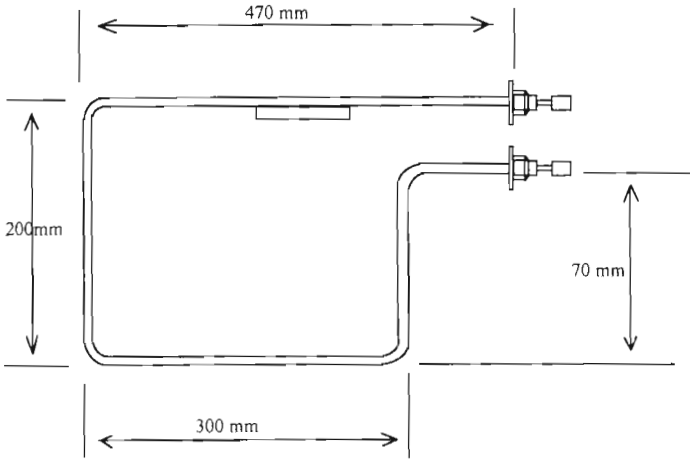
HOT FOOD BAR ELEMENTS



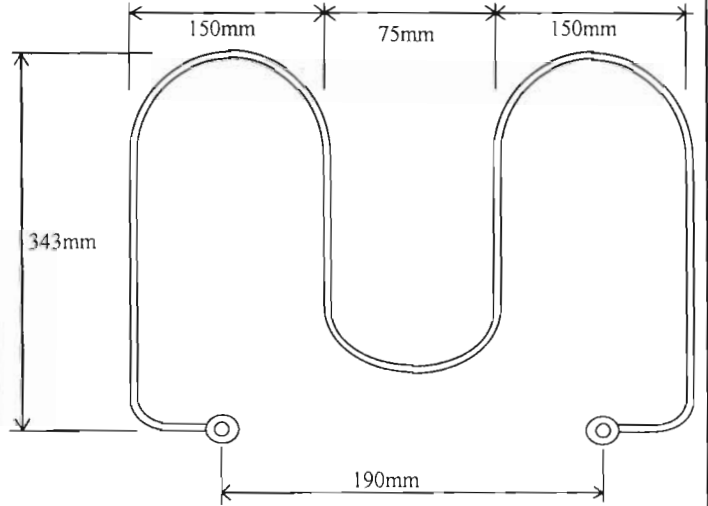
PART No.	RATING Watts	"A" MAX mm	"B" mm
DWF 10	1000	480	225
DWF 12	1200	380	457
DWF 18	1800	380	760
DWF 24	2400	380	1065



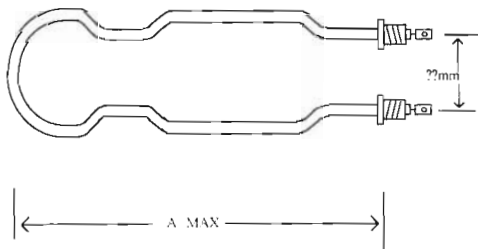
JOMACK ELEMENTS



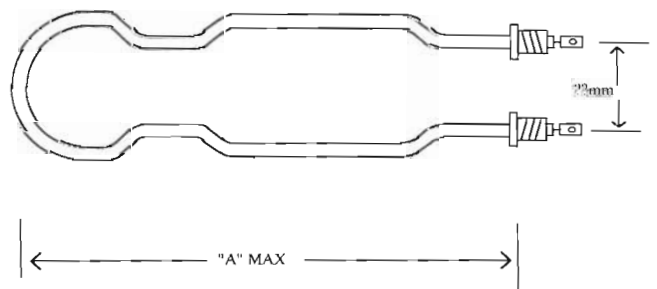
JBM 12
 1200W 240V
 TO SUIT **JOMACK BAIN-MARIE**



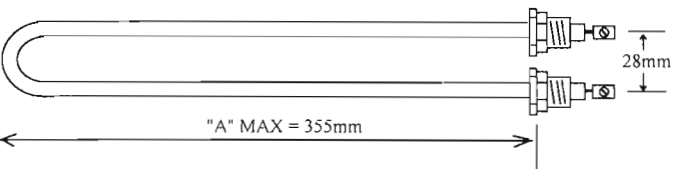
JBM 18
 1800W 240V
 TO SUIT **JOMACK BAIN-MARIE**



JPW 12
 1200W 240V
 TO SUIT **JOMACK PIE WARMER**

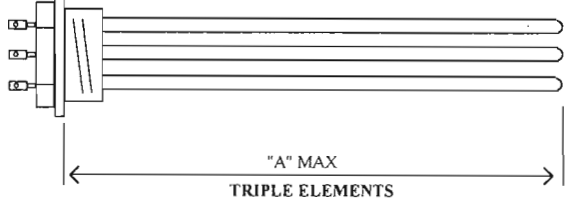


JPW 15
 1500W 240V
 TO SUIT **JOMACK PIE WARMER**



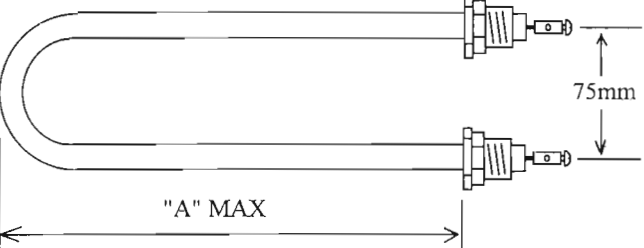
"A" MAX = 355mm
28mm

X 1725 2400W 240V
X 1733 2000W 240V



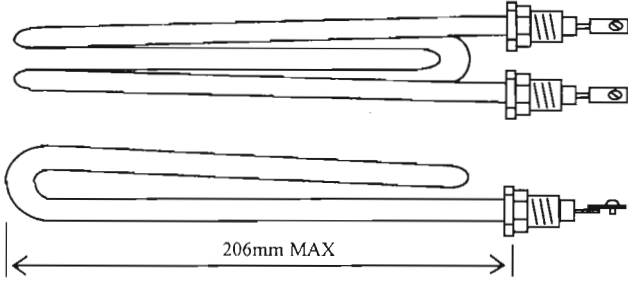
"A" MAX
TRIPLE ELEMENTS

X 1726 10800W 240V "A" MAX = 457mm
X 1728 17000W 240V "A" MAX = 550mm
2" BSP ELEMENTS



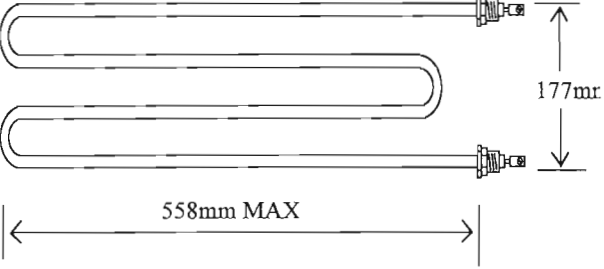
75mm
"A" MAX

X 1730 2000W 240V "A" MAX = 350mm
X 1731 330W 240V "A" MAX = 178mm
X 1732 450W 240V "A" MAX = 190mm



206mm MAX

X 1727 3600W 240V



177mm
558mm MAX

X 1729 3000W 240V



SPEEDIE RADIATOR ELEMENTS



SRE 7	750W	240V	520mm LONG
SRE 11	1100W	240V	640mm LONG
SRE 15	1500W	240V	910mm LONG