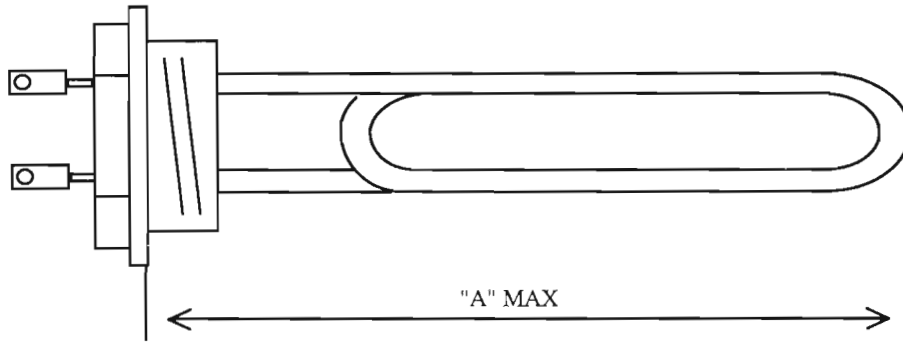




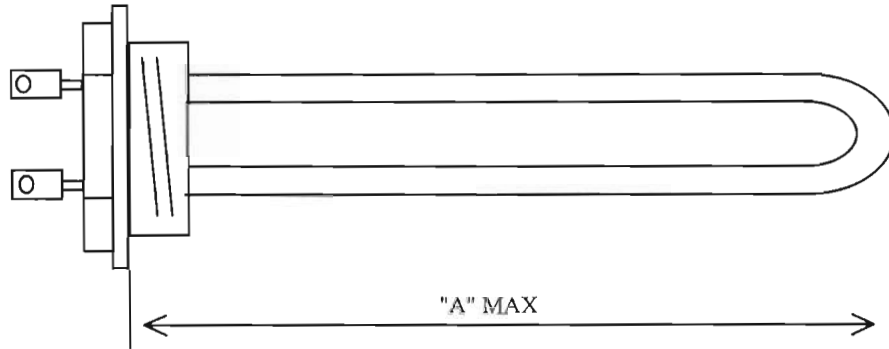
2" BSP WATER HEATING ELEMENTS

CORROSION RESISTANT ALLOY SHEATHED ELEMENTS

Thread O.D 59mm



DL TYPE



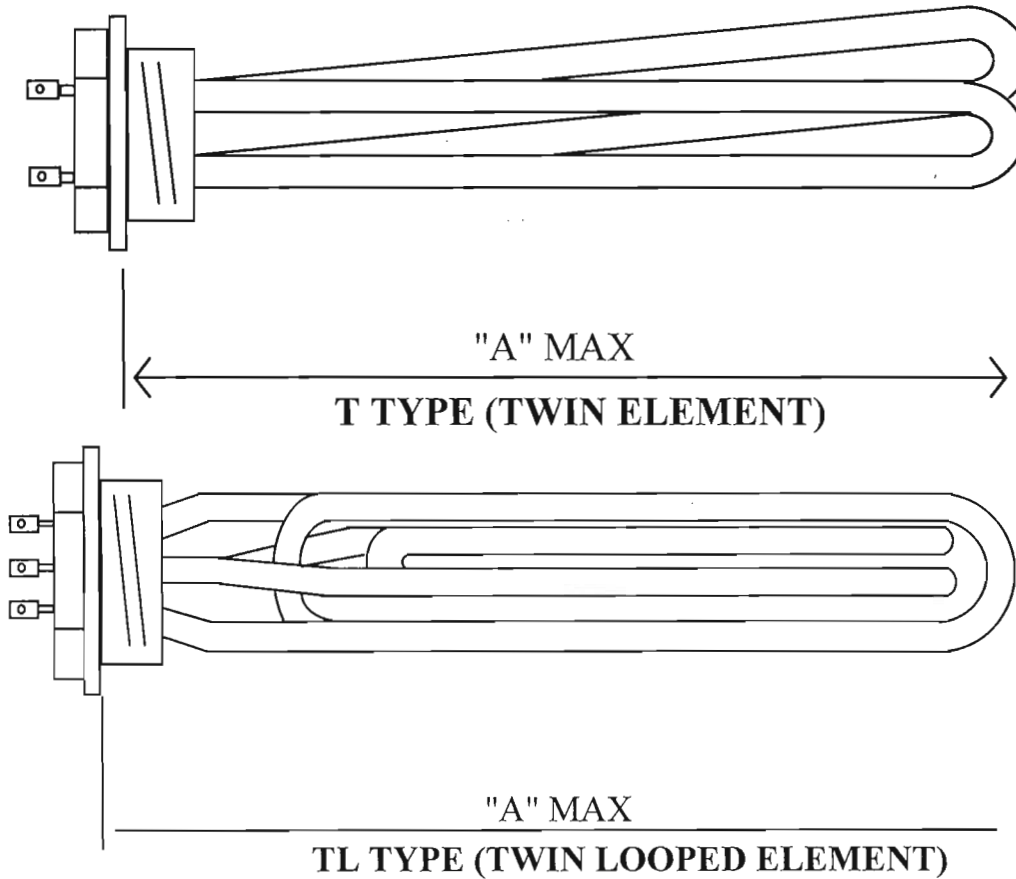
U TYPE

PART No.	RATING Watts	"A" MAX mm	TYPE
SXM 5	500	230	U
SXM 7	750	245	U
SXM 10	1000	270	U
SXM 12	1200	280	U
SXM 15	1500	305	U
SXM 18	1800	370	U
SXM 20	2000	245	DL
SXM 24	2400	280	DL
SXM 30	3000	305	DL
SXM 36	3600	380	DL
SXM 48	4800	405	DL

SUPPLIED with fibre gasket. (See Part no. ZGF 2).

CORROSION RESISTANT ALLOY SHEATHED ELEMENTS

Thread O.D 59mm



PART No.	RATING Watts	"A" MAX mm	TYPE
TXM 10	1000	230	T
TXM 15	1500	245	T
TXM 20	2000	270	T
TXM 24	2400	280	T
TXM 30	3000	305	T
TXM 40	4000	410	T
TXM 48	4800	460	T
TXM 60	6000	560	T
TXM 60A	6000	305	TL

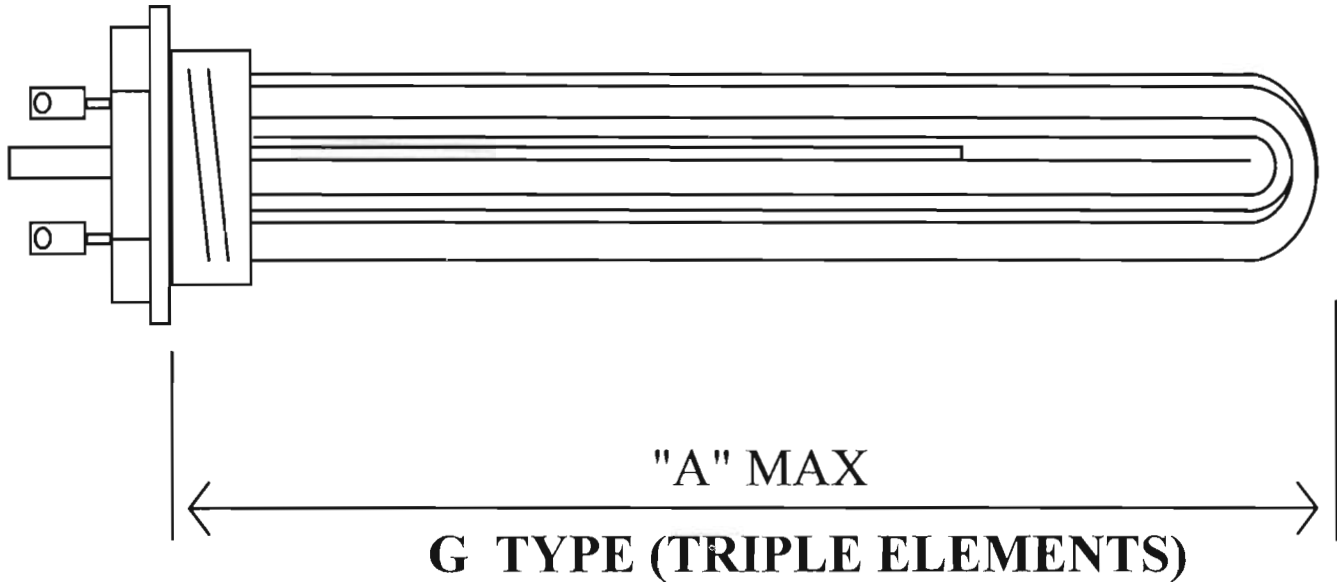
SUPPLIED with fibre gasket. (See Part no. ZGF 2).



2" BSP WATER HEATING ELEMENTS

CORROSION RESISTANT ALLOY SHEATHED ELEMENTS

Thread O.D 59mm

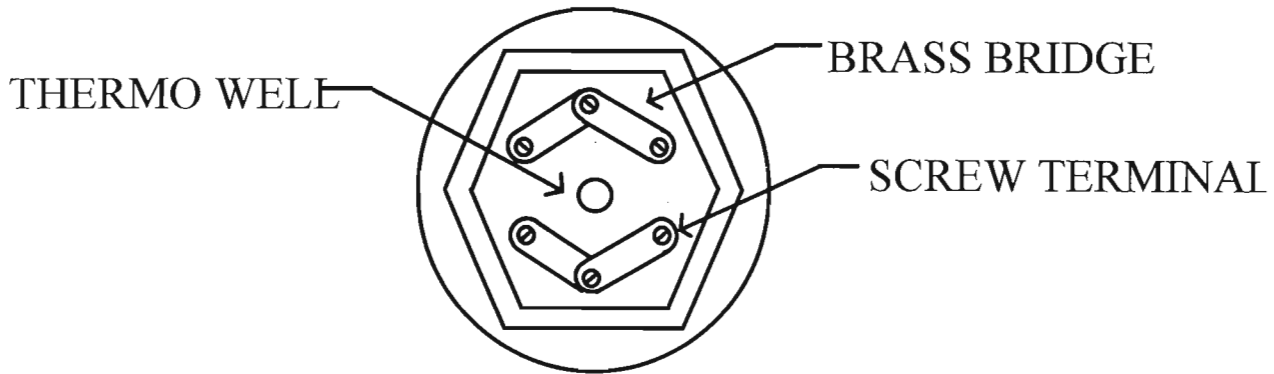


PART No.	RATING Watts	"A" MAX mm	TYPE	
GXM 30	3000	270	G	
GXM 36	3600	280	G	
GXM 45	4500	305	G	
GXM 60	6000	395	G	
GXM 72	7200	460	G	
GXM 90	9000	560	G	
GXM 90S	9000	285	G	SPA HEATER
GXM 108	10800	660	G	
GXM 120S	12000	495	G	SPA HEATER
GXM 144	14400	740	G	
GXM 180	18000	1070	G	

NOTE: ALL THIS SERIES HAVE A THERMO WELL IN THE MIDDLE OF THE BOSS EXCEPT FOR THE GXM 90S AND GXM 120S

SUPPLIED with fibre gasket (See Part no. ZGF 2).

ADDITIONAL INFORMATION



THERMO WELL IN THE CENTRE IS 300mm LONG.

STANDARD BRIDGING FOR ALL GXM (TRIPLE ELEMENT) STYLE UNITS.
GXM STYLE ELEMENTS ARE SUPPLIED BRIDGED, AS SHOWN ABOVE, FOR CONNECTION TO 240V SINGLE PHASE SUPPLY. THEY CAN ALSO BE CONNECTED TO 415V THREE PHASE SUPPLY IN STAR CONNECTION.



HARD WATER

Many areas of Australia have “HARD WATER” and, in some areas, this so called “Hard Water” will even rapidly corrode alloy 800 sheathed elements. The chemical composition of the water varies from area to area, and from day to day, within an area.

The only sure solution to the problem of element corrosion, is to treat the water.

We know of no commercially available material for element sheathing that can be assured to cover all situations.

Technically, there are many ways in which the failure of the element occurs, but broadly they fall into two main categories:-

- (A) Direct corrosive attack on the element sheath by the impurities and chemicals in the water supply.
- (B) Build up of residue (liming) on the element sheath.

If water treatment is not undertaken, then element life can generally be improved by the following:-

- (1) Low density elements generally give better results. These elements are made by using a longer element for a given wattage.
- (2) Lower thermostat settings. Reduces the rate of corrosion.
- (3) Sacrificial anodes. Their replacement is often neglected.
- (4) Alloy 825 sheathing. Has superior corrosion resistance, but performance will vary from area to area.

We offer a substantial range of ALLOY 825 LOW DENSITY elements ex stock.

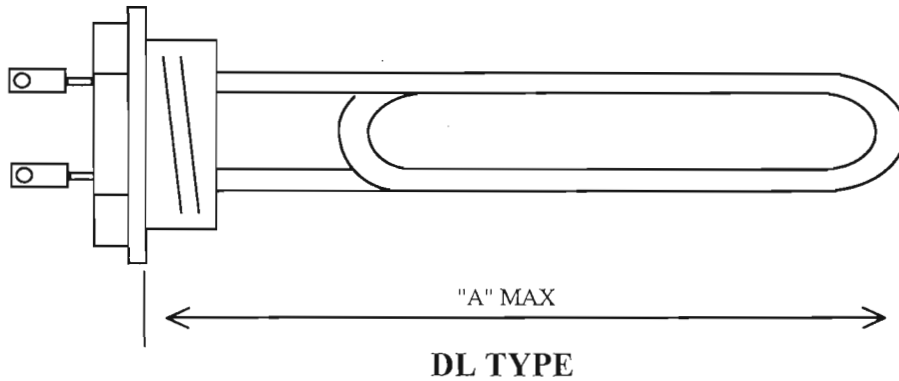
Remember these elements and suggestions can help improve service life only. The only sure solution is water treatment.

We can also manufacture low density elements to your specification if desired.

We hope that the above information is of assistance and welcome your enquiries.

LOW WATTS DENSITY ALLOY 825 ELEMENTS FOR HARD WATER AREAS

Thread O.D 59mm



PART No.	RATING Watts	"A" MAX mm	TYPE
LXY 18	1800	245	DL
LXY 24	2400	330	DL
LXY 30	3000	400	DL
LXY 36	3600	460	DL
LXY 48	4800	610	DL

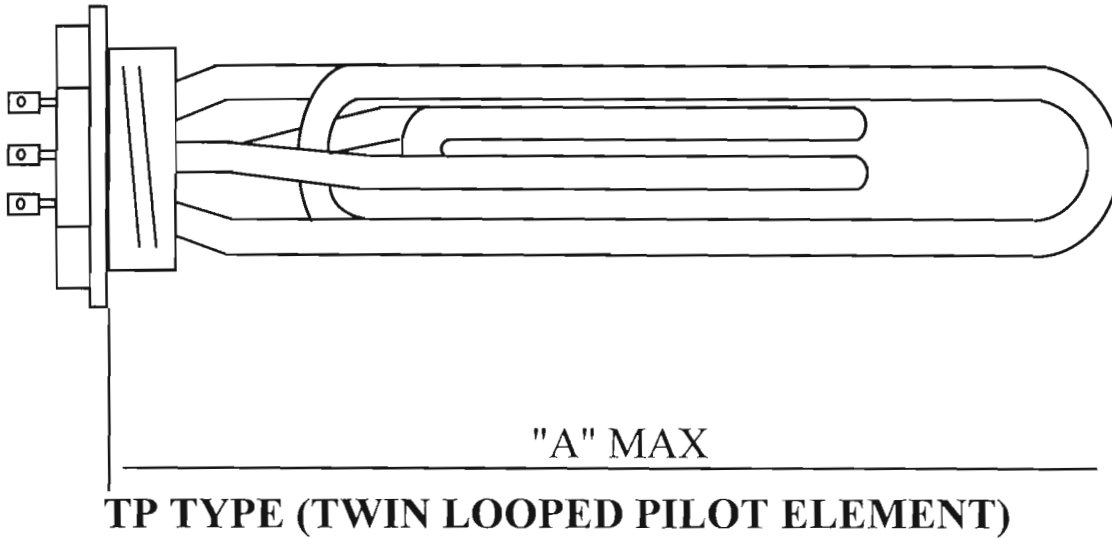
SUPPLIED with fibre gasket (See Part no. ZGF 2).



2" BSP WATER HEATING ELEMENTS

BOILING WATER ELEMENTS

Thread O.D 59m



PART No.	RATING		"A" MAX mm	TYPE
	Main	Pilot		
SXPM 22	2000	250	245	TP
SXPM 32	3000	250	270	TP

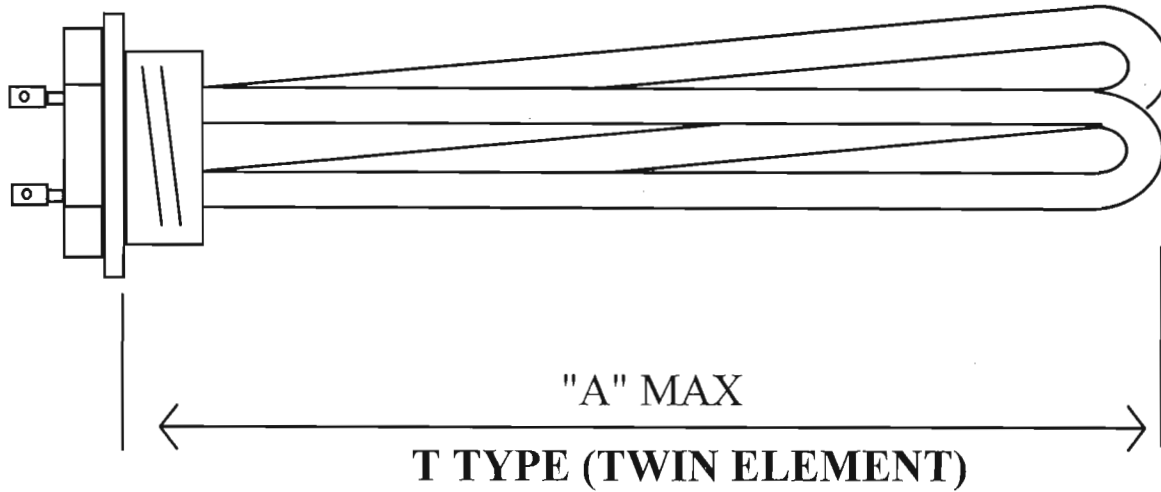
SUPPLIED with fibre gasket (See Part no. ZGF²).

2" BSP OIL HEATING ELEMENTS



PAGE

34



PART No.	RATING Watts	"A" MAX mm	TYPE
TXS 20	2000	710	T
TXS 24	2400	840	T

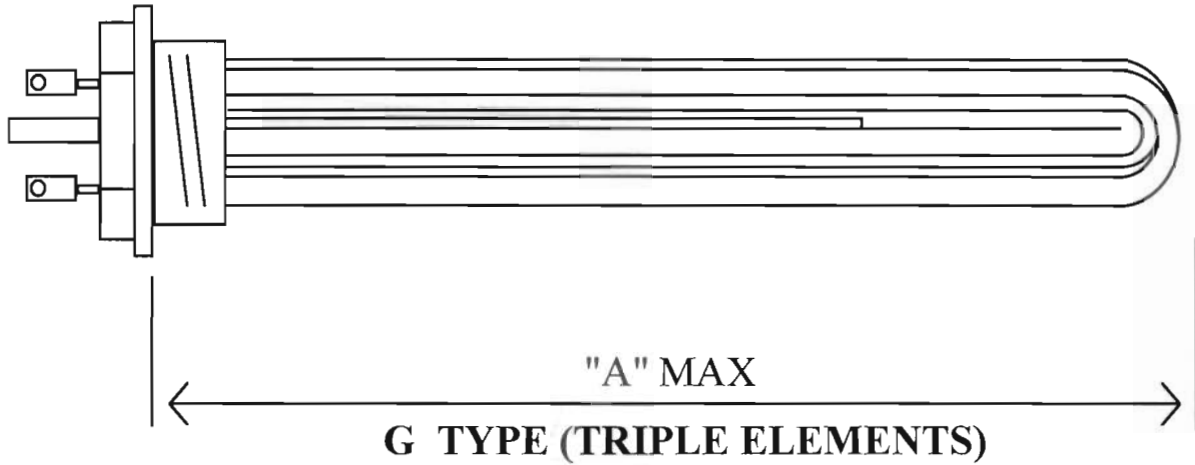
PLEASE NOTE:

The above elements have a surface loading of 32kw /sq m.
Check with L.N or your oil supplier that this loading is suitable for your particular application.

SUPPLIED with fibre gasket (See Part no. ZGF 2).



2" BSP OIL HEATING ELEMENTS



PART No.	RATING Watts	"A" MAX mm	TYPE
GXS 30	3000	710	G
GXS 36	3600	840	G
GXS 48	4800	1090	G

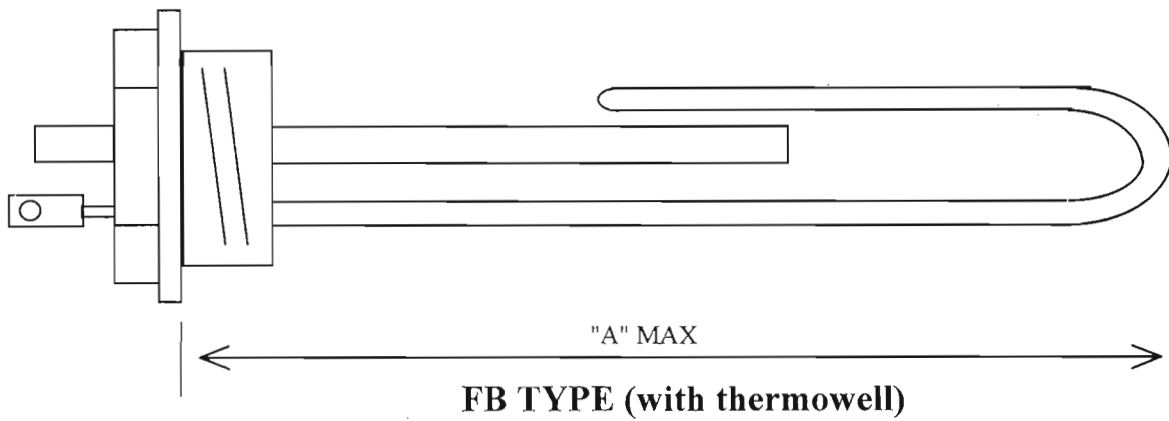
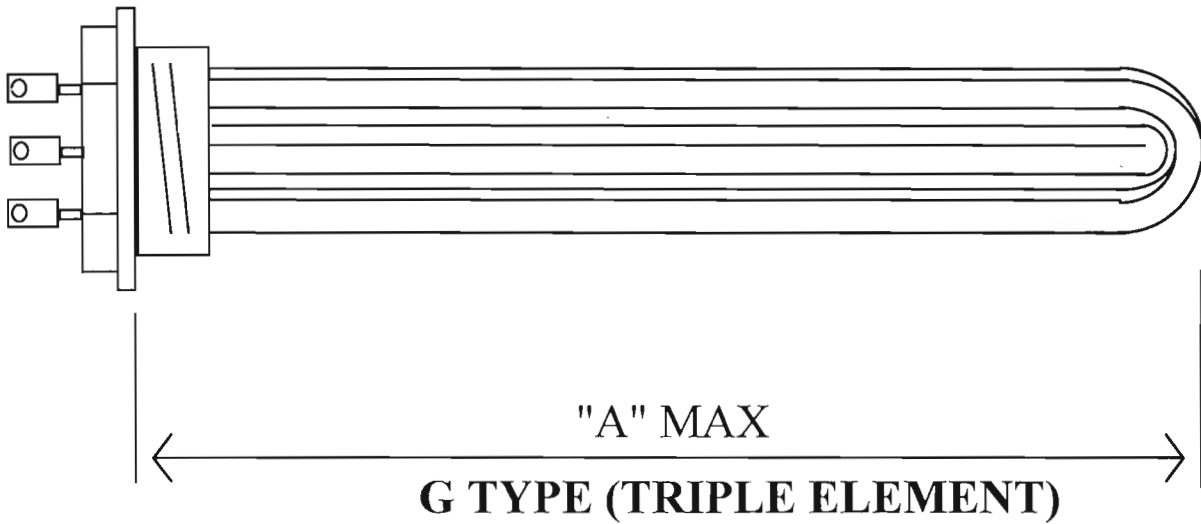
PLEASE NOTE:

The above elements have a surface loading of 32kw /sq m.

Check with L.N or your oil supplier that this loading is suitable for your particular application.

SUPPLIED with fibre gasket (See Part no. ZGF 2).

SPECIAL 2" BSP ELEMENTS

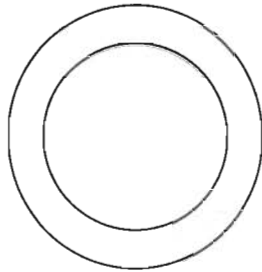


PART No.	RATING Watts	"A" MAX mm	TYPE
X 410	8000	430	G
X 641	6000	395	G
X 2611	2400	600	FB
X 2740	2400	710	FB
SXWM 15	1500	305	FB
SXWM 30	3000	225	FB

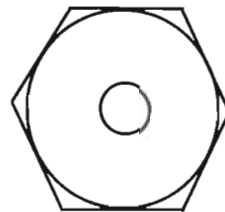
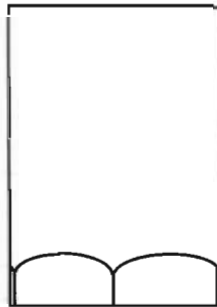
SUPPLIED with fibre gasket (See Part no. ZGF 2).



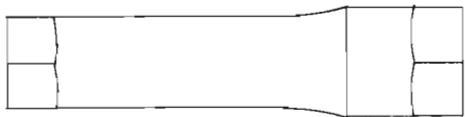
2" BSP ELEMENT ACCESSORIES



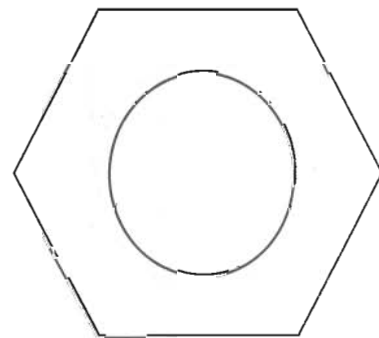
ZGF 2
GASKET FOR 2" BSP BOSS



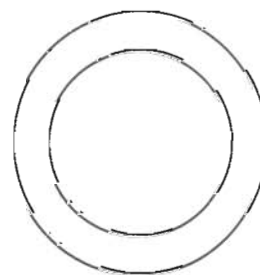
ZCA 2
ALUMINIUM COVER
FOR 2" BSP BOSS



ELS 3
3 WAY SPANNER SUITS 1", 1 1/4" & 2"
BSP ELEMENTS.



ZBA 2
BRASS NUT



ZGS 2
COPPER GASKET
FOR 2" BSP BOSS