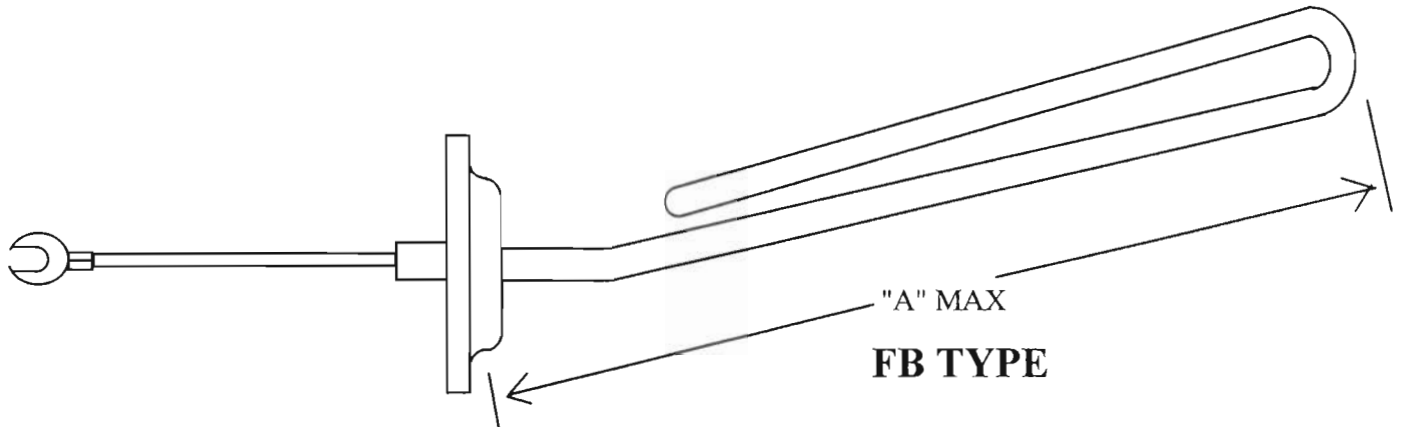




UNIVERSAL BOLT ON ELEMENTS

COPPER SHEATHED ELEMENTS



| PART No. | RATING Watts | "A" MAX mm | TYPE |
|----------|-----------------|---------------|------|
| RD 24 | 2400 | 265 | FB |
| RD 30 | 3000 | 320 | FB |
| RD 36 | 3600 | 320 | FB |
| RD 48 | 4800 | 420 | FB |

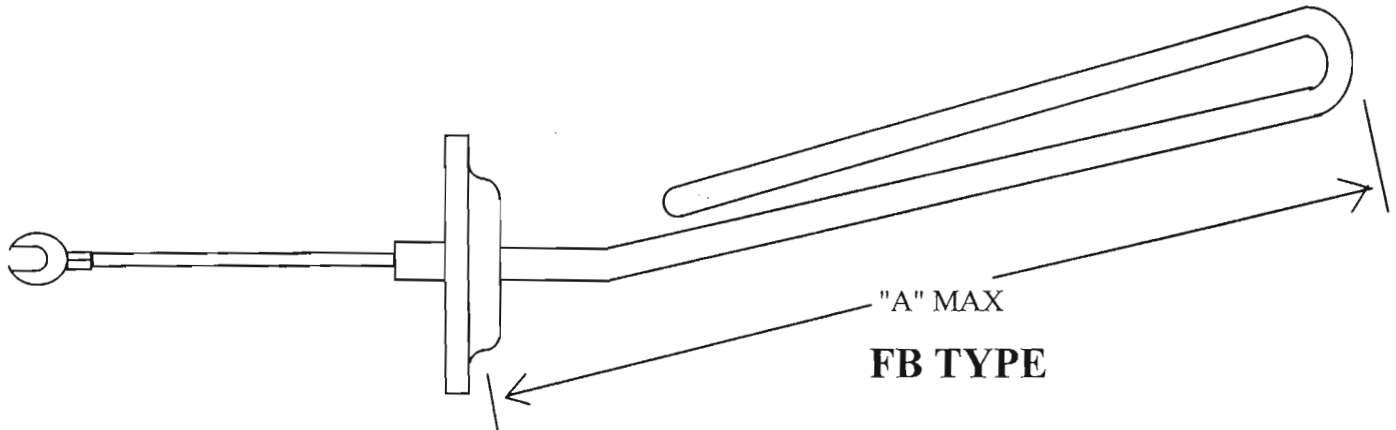
SUPPLIED WITH THE SUPERIOR LN MOISTURE PROOF HEAD.

SUPPLIED with L section gasket with extended skirt (ZGF 5B), 225mm long leads with spade connectors and a resistor.

UNIVERSAL BOLT ON ELEMENTS



CORROSION RESISTANT ALLOY SHEATHED ELEMENTS



| PART No. | RATING Watts | "A" MAX mm | TYPE |
|----------|-----------------|---------------|------|
| RDM 24 | 2400 | 265 | FB |
| RDM 30 | 3000 | 320 | FB |
| RDM 36 | 3600 | 320 | FB |
| RDM 48 | 4800 | 420 | FB |

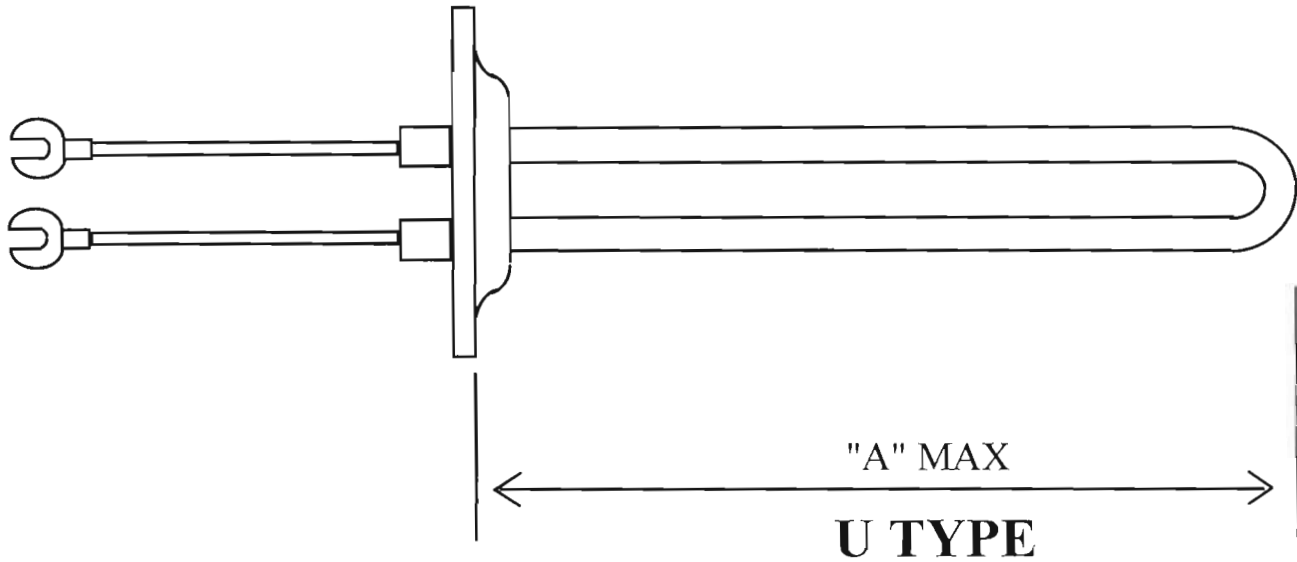
SUPPLIED WITH THE SUPERIOR LN MOISTURE PROOF HEAD.

SUPPLIED with L section gasket (ZGF 5), 225mm long leads with spade connectors and a resistor.



UNIVERSAL BOLT ON ELEMENTS

COPPER SHEATHED ELEMENTS

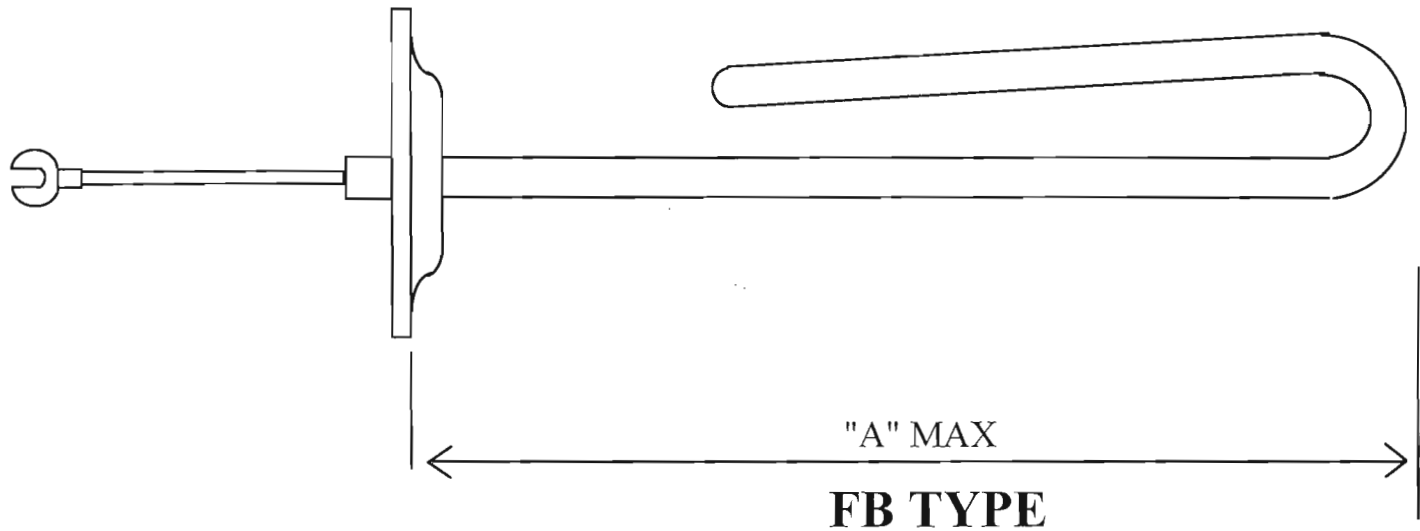


| PART No. | RATING Watts | "A" MAX mm | TYPE |
|----------|-----------------|---------------|--------------------------------|
| RB 6 | 600 | 230 | U |
| RB 7A | 750 | 140 | FB |
| RB 9 | 900 | 255 | U |
| RB 10 | 1000 | 180 | FB |
| RB 12 | 1200 | 280 | U |
| RB 15 | 1500 | 305 | U |
| RB 18 | 1800 | 230 | FB |
| RB 20 | 2000 | 245 | FB |
| RB 24 | 2400 | 265 | replaced by RD series (page 1) |
| RB 30 | 3000 | 305 | replaced by RD series (page 1) |
| RB 36 | 3600 | 305 | replaced by RD series (page 1) |
| RB 36A | 3600 | 210 | FB |
| RB 36L | 3600 | 360 | FB |
| RB 48 | 4800 | 405 | replaced by RD series (page 1) |
| RB 48L | 4800 | 480 | FB |

SUPPLIED WITH THE SUPERIOR LN MOISTURE PROOF HEAD.

SUPPLIED with L section gasket with extended skirt (ZGF 5B), 225mm long leads with spade connectors and a resistor.

CORROSION RESISTANT ALLOY SHEATHED ELEMENTS



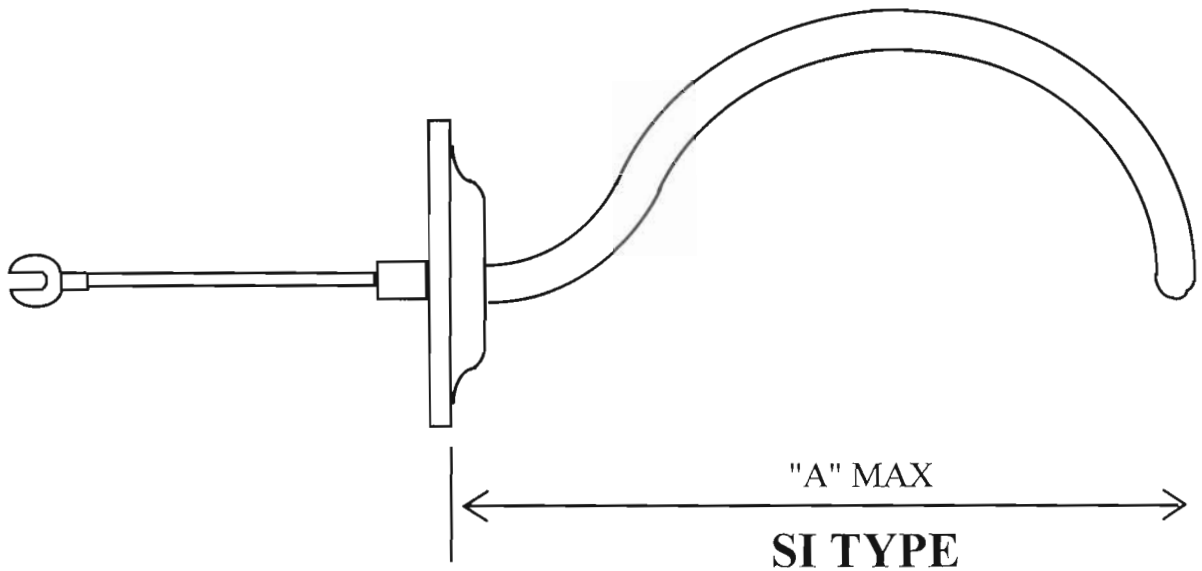
| PART No. | RATING Watts | "A" MAX mm | TYPE |
|----------|-----------------|---------------|-----------------------------------|
| RBM 1 | 150 | 250 | FB |
| RBM 6 | 600 | 230 | U |
| RBM 7A | 750 | 140 | FB |
| RBM 9 | 900 | 255 | U |
| RBM 10 | 1000 | 180 | FB |
| RBM 12 | 1200 | 280 | U |
| RBM 12A | 1200 | 160 | FB |
| RBM 15 | 1500 | 305 | U |
| RBM 18 | 1800 | 230 | FB |
| RBM 18S | 1800 | 370 | U |
| RBM 20 | 2000 | 245 | FB |
| RBM 24 | 2400 | 265 | replaced by RDM series (page 2) |
| RBM 24A | 2400 | 230 | replaced by X 2246 (see page 11) |
| RBM 30 | 3000 | 305 | replaced by RDM series (page 2) |
| RBM 36 | 3600 | 305 | replaced by RDM series (page 2) |
| RBM 36A | 3600 | 210 | FB |
| RBM 48 | 4800 | 405 | replaced by RDM series (page 2) |

SUPPLIED WITH THE SUPERIOR LN MOISTURE PROOF HEAD.

SUPPLIED with L section gasket (ZGF 5), 225mm long leads with spade connectors and a resistor.



UNIVERSAL BOLT ON ELEMENTS

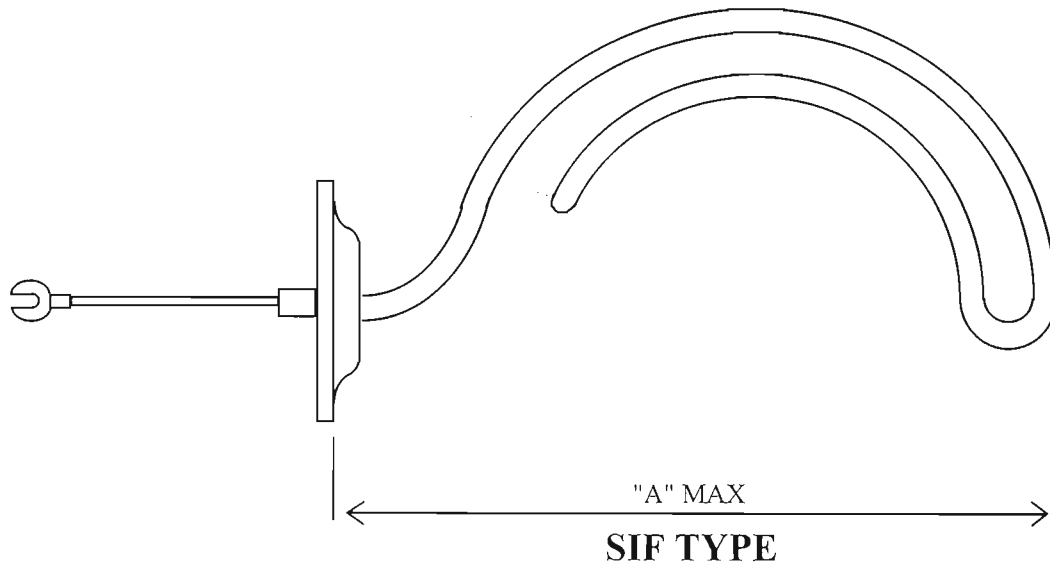
COPPER SHEATHED ELEMENTS


| PART No. | RATING Watts | "A" MAX mm | TYPE |
|----------|-----------------|---------------|------|
| RC 12 | 1200 | 305 | SI |
| RC 15 | 1500 | 305 | SI |
| RC 18 | 1800 | 305 | SI |
| RC 20 | 2000 | 305 | SI |
| RC 24 | 2400 | 305 | SIF |
| RC 30 | 3000 | 305 | SIF |
| RC 36 | 3600 | 305 | SIF |
| RC 48 | 4800 | 305 | SIF |
| RC 60 | 6000 | 460 | SIF |

SUPPLIED WITH THE SUPERIOR LN MOISTURE PROOF HEAD.

SUPPLIED with L section gasket with extended skirt (ZGF 5B), 225mm long leads with spade connectors and a resistor.

CORROSION RESISTANT ALLOY SHEATHED ELEMENTS



| PART No. | RATING Watts | "A" MAX mm | TYPE |
|----------|-----------------|---------------|------|
| RCM 12 | 1200 | 305 | SI |
| RCM 15 | 1500 | 305 | SI |
| RCM 18 | 1800 | 305 | SI |
| RCM 20 | 2000 | 305 | SI |
| RCM 24 | 2400 | 305 | SIF |
| RCM 30 | 3000 | 305 | SIF |
| RCM 36 | 3600 | 305 | SIF |
| RCM 48 | 4800 | 305 | SIF |
| RCM 60 | 6000 | 460 | SIF |

SUPPLIED WITH THE SUPERIOR LN MOISTURE PROOF HEAD.

SUPPLIED with L section gasket (ZGF 5), 225mm long leads with spade connectors and a resistor.



HARD WATER

Many areas of Australia have "HARD WATER" and, in some areas, this so called "Hard Water" will even rapidly corrode alloy 800 sheathed elements. The chemical composition of the water varies from area to area, and from day to day, within an area.

The only sure solution to the problem of element corrosion, is to treat the water.

We know of no commercially available material for element sheathing that can be assured to cover all situations.

Technically, there are many ways in which the failure of the element occurs, but broadly they fall into two main categories:-

- (A) Direct corrosive attack on the element sheath by the impurities and chemicals in the water supply.
- (B) Build up of residue (liming) on the element sheath.

If water treatment is not undertaken, then element life can generally be improved by the following:-

- (1) Low density elements generally give better results. These elements are made by using a longer element for a given wattage.
- (2) Lower thermostat settings. Reduces the rate of corrosion.
- (3) Sacrificial anodes. Their replacement is often neglected.
- (4) Alloy 825 sheathing. Has superior corrosion resistance, but performance will vary from area to area.

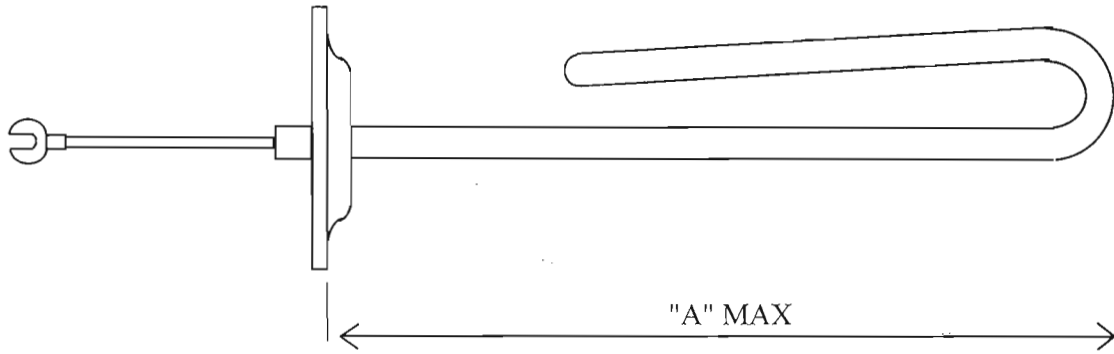
We offer a substantial range of ALLOY 825 LOW DENSITY elements ex stock.

Remember these elements and suggestions can help improve service life only. The only sure solution is water treatment.

We can also manufacture low density elements to your specification if desired.

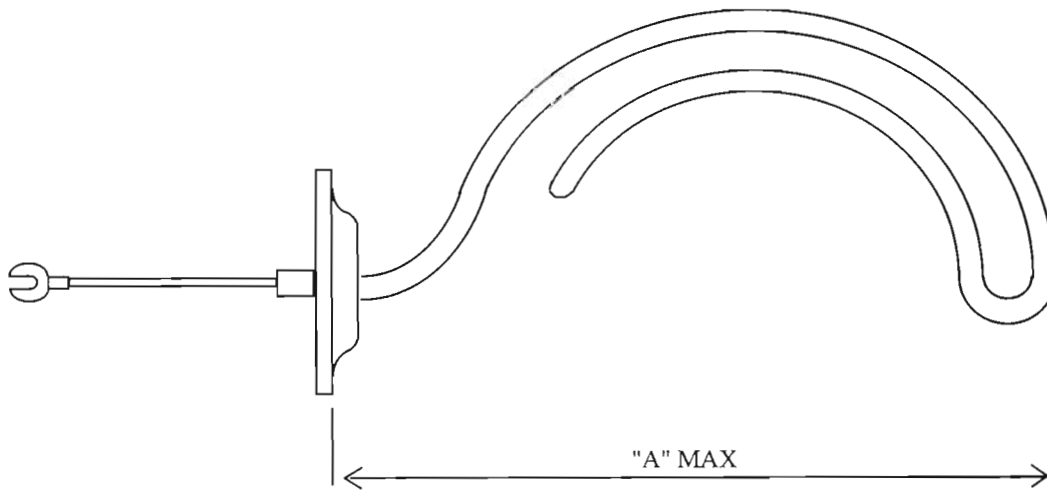
We hope that the above information is of assistance and welcome your enquiries.

LOW WATTS DENSITY ALLOY 825 ELEMENTS FOR HARD WATER AREAS



FB TYPE

| PART No. | RATING Watts | "A" MAX mm | TYPE |
|----------|-----------------|---------------|------|
| LBY 18 | 1800 | 245 | FB |
| LBY 24 | 2400 | 330 | FB |
| LBY 30 | 3000 | 400 | FB |
| LBY 36 | 3600 | 460 | FB |
| LBY 48 | 4800 | 610 | FB |



SIF TYPE

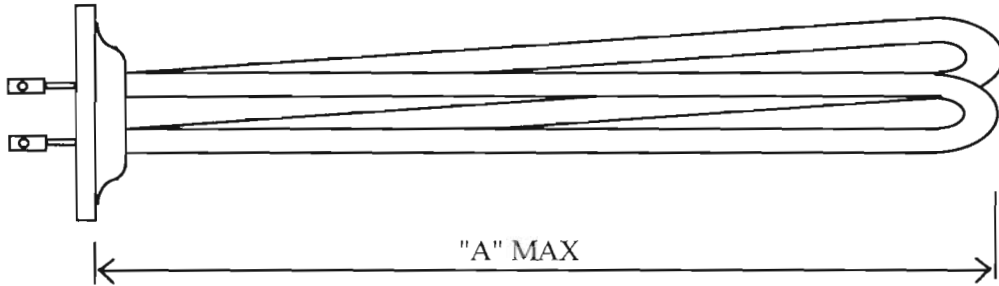
| PART No. | RATING Watts | "A" MAX mm | TYPE |
|----------|-----------------|---------------|------|
| LCY 18 | 1800 | 305 | SIF |
| LCY 24 | 2400 | 305 | SIF |
| LCY 30 | 3000 | 305 | SIF |
| LCY 36 | 3600 | 460 | SIF |
| LCY 48 | 4800 | 460 | SIF |

SUPPLIED with L section gasket (ZGF 5), 225mm long leads with spade connectors and a resistor.



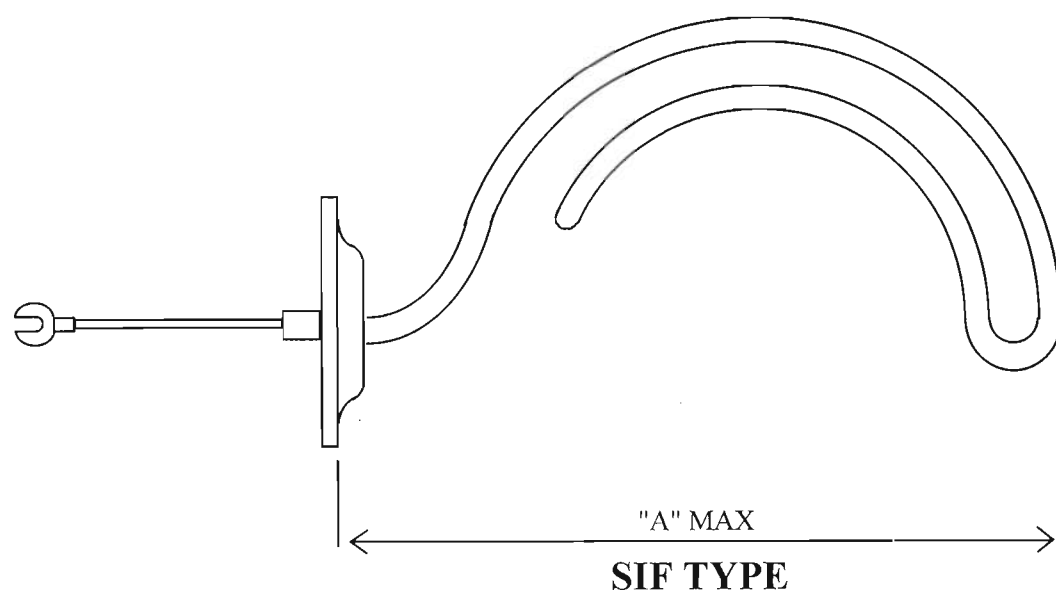
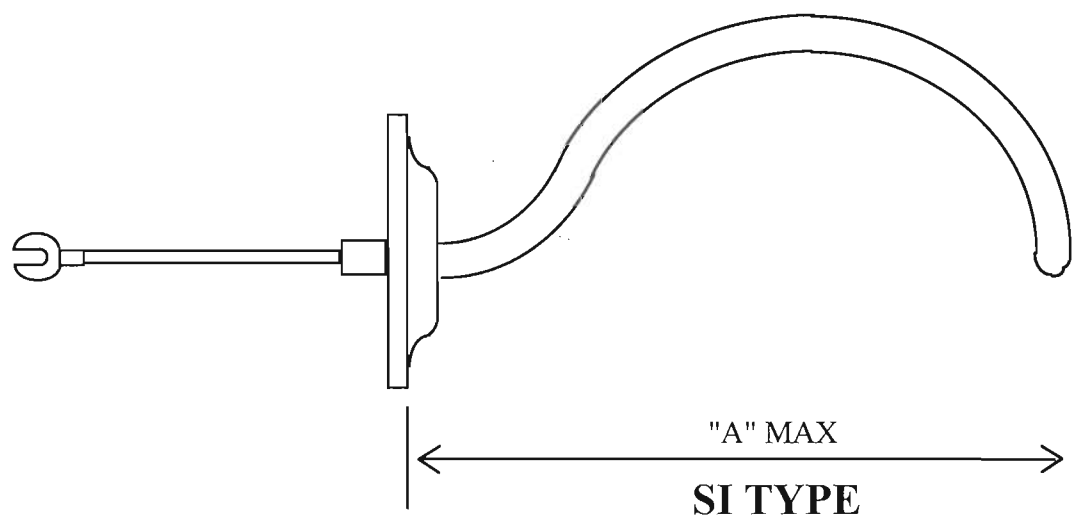
SPECIAL BOLT ON ELEMENTS

TWIN BOLT ON ELEMENTS



| PART No. | RATING Watts | "A" MAX mm | TYPE |
|----------|-----------------|---------------|------|
| RBTM 48 | 4800 | 480 | U |
| RBTM 60 | 6000 | 560 | U |

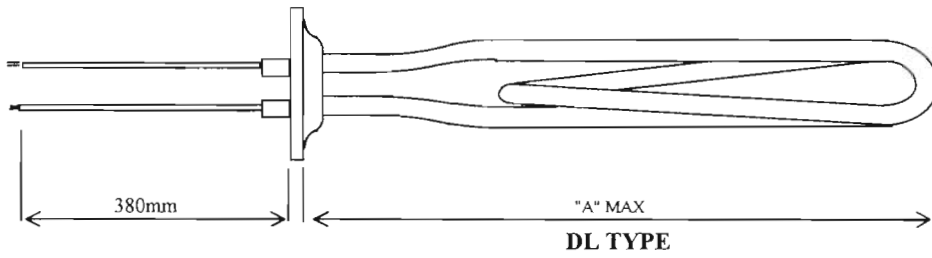
BRAEMAR RILSAN HOT WATER ELEMENTS



| PART No. | RATING Watts | "A" MAX mm | TYPE |
|----------|-----------------|---------------|------|
| RF 2504 | 1200 | 305 | SI |
| RF 2505 | 1500 | 305 | SI |
| RF 2506 | 1800 | 305 | SI |
| RF 2507 | 2400 | 305 | SI |
| RF 2508 | 3000 | 305 | SIF |
| RF 2509 | 3600 | 305 | SIF |
| RF 2510 | 4800 | 305 | SIF |

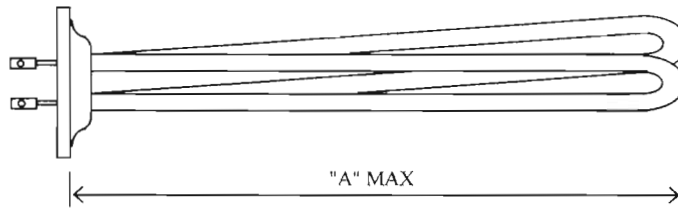


SPECIAL BOLT ON ELEMENTS

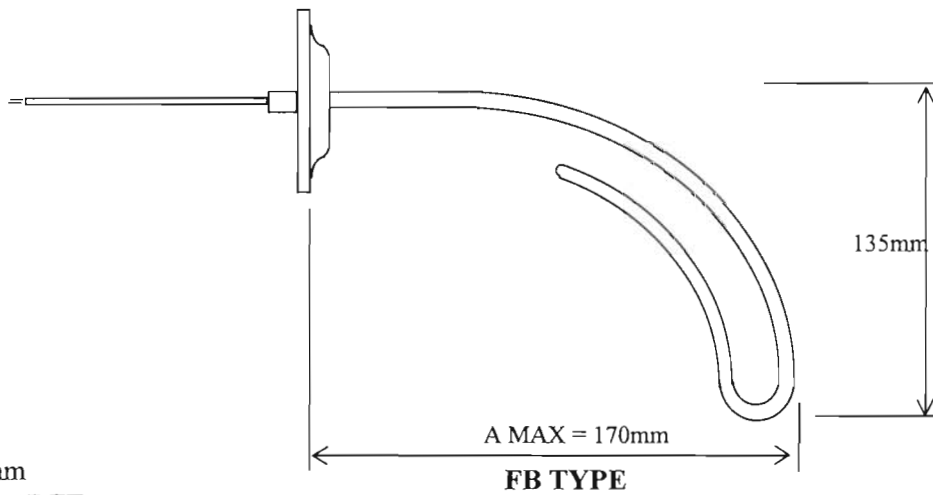


X 2246
2400W 240V
A MAX = 210mm
FOR WHELAN UNIT

X 2255
2400W 240V
A MAX = 265mm
FOR WHELAN UNIT

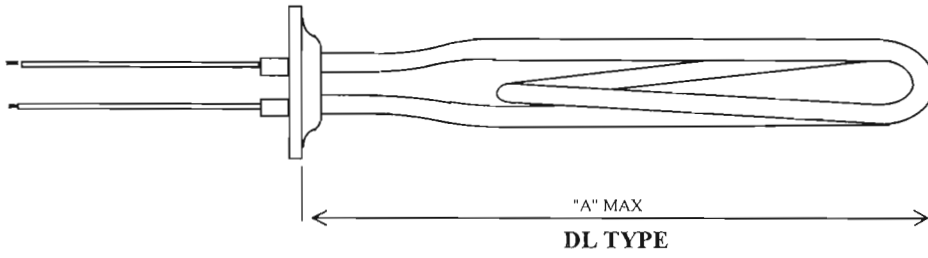


X 2421
4800W 240V
A MAX = 435mm
FOR WHELAN UNIT



X 2224
2000W 240V
A MAX = 170mm
FOR WHELAN UNIT

SPECIAL BOLT ON ELEMENTS

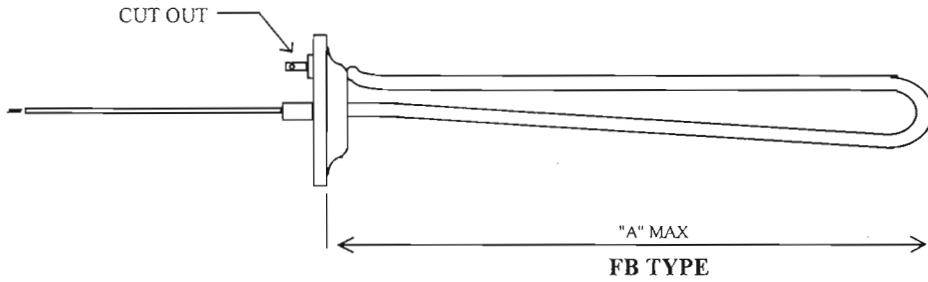


X 960

3600W 240V

A MAX = 280mm

FOR WILSON UNIT



X 2200

2400W 240V

A MAX = 200mm

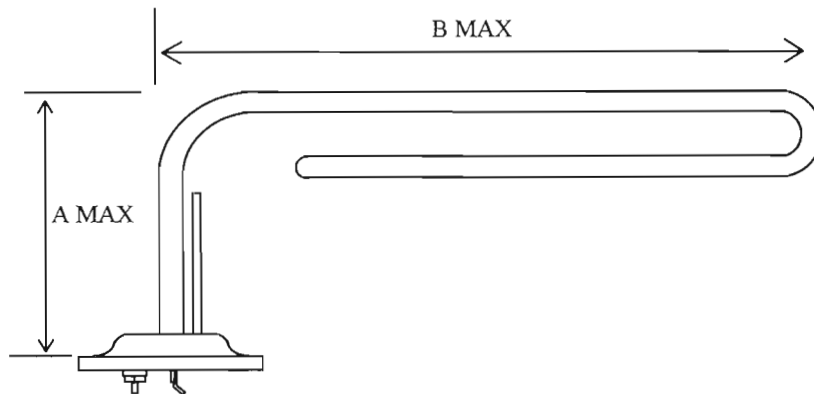
FOR WILSON UNIT

X 2289

3600W 240V

A MAX = 280mm

FOR WILSON UNIT



RL 24

2400W 240V

A MAX = 120mm

B MAX = 150mm

FOR RHEEM LAZER UNIT

RL 36

3600W 240V

A MAX = 120mm

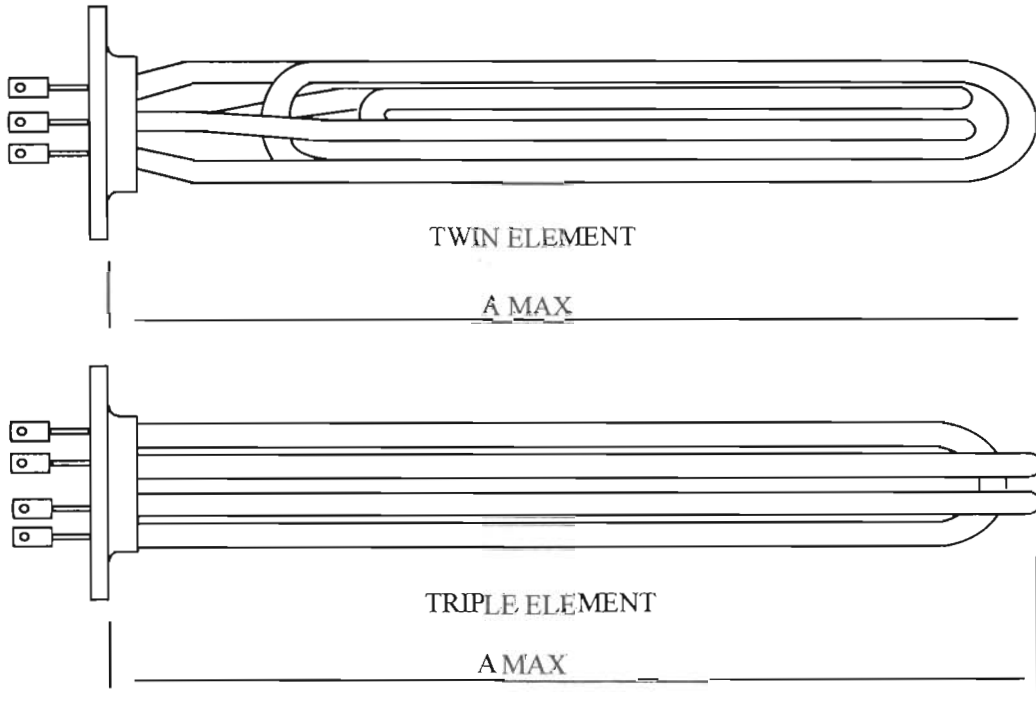
B MAX = 200mm

FOR RHEEM LAZER UNIT



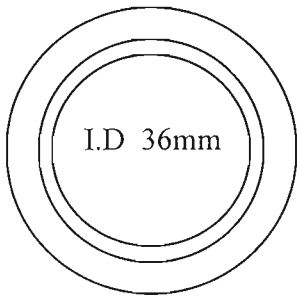
SPECIAL BOLT ON ELEMENTS

ELEMENTS FOR BOILING WATER UNITS



| PART No. | RATING | | "A" MAX mm | DESCRIPTION |
|----------|---------------|----------------|---------------|-------------|
| | Main Watts | Pilot Watts | | |
| RBPM 22 | 2000 | 250 | 250 | |
| RBPM 25 | 2000 | 500 | 250 | |
| RBPM 32 | 3000 | 250 | 280 | |
| RBPM 35 | 3000 | 500 | 280 | |
| X 2197 | 2000 | 250 | 350 | WHELAN UNIT |
| X 2198 | 1400 | 180 | 335 | WHELAN UNIT |
| X 2265 | 2000 | 350 | 450 | WHELAN UNIT |
| X 2303A | 4500 | 250 | 450 | WHELAN UNIT |
| X 2303B | 4500 | 350 | 450 | WHELAN UNIT |
| X 2303C | 4500 | 500 | 450 | WHELAN UNIT |
| X 2303D | 4500 | 750 | 450 | WHELAN UNIT |
| X 2375 | 3250 | 250 | 295 | WHELAN UNIT |
| X 2654 | 2150 | 350 | 350 | WHELAN UNIT |
| X 2655 | 3150 | 350 | 350 | WHELAN UNIT |
| X 922 | 1800 | 150 | 203 | WILSON UNIT |
| UA 24 | SEE PAGE 40 | | | |
| UA 36 | SEE PAGE 40 | | | |

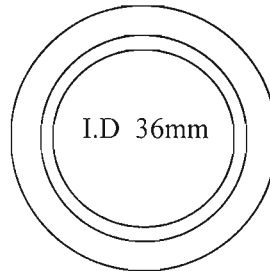
BOLT ON ELEMENT ACCESSORIES



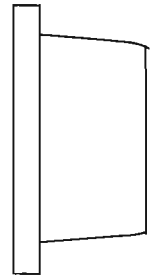
O.D 48.5mm



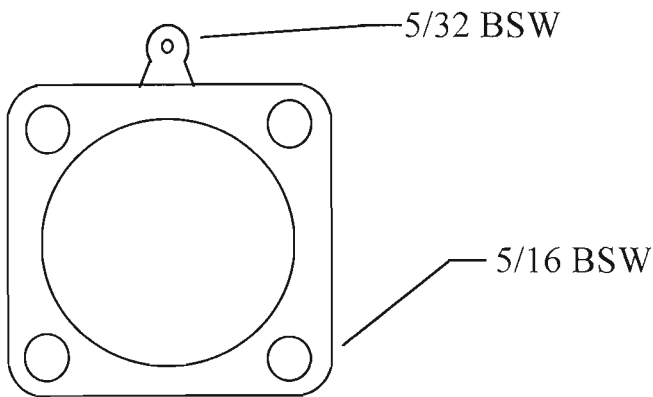
ZGF 5
L SECTION RUBBER GASKET.



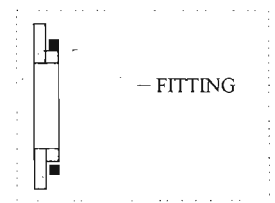
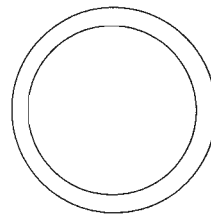
O.D 48.5mm



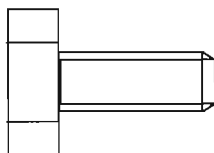
ZGF 5B
RHEEM STYLE L SECTION GASKET
WITH EXTENDED SKIRT.



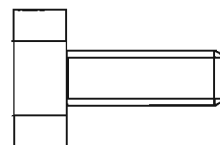
ZMF
MOUNTING FLANGE FOR
BRAZING TO TANK.



ZGF 5A
OLD STYLE RUBBER GASKETS.
To be used in conjunction with either ZGF 5 or
ZGF 5B in old units with retaining groove in
mounting flange.



ZFB 2
FIXING BOLT.
5/16"BSW x 1/2" LONG.



ZFB 1
FIXING BOLT.
5/16"BSW x 5/8" LONG.