

HELIOS BLOWER HEATERS

BLOWER HEATERS

The range of Helios blower heaters are designed to provide high volume hot air for personal comfort heating and industrial process applications.

Ideal for heating showrooms-halls-warehouses-factories-gymnasiums-canteens and staff rooms, in fact, wherever a more comfortable environment is required. Industrial applications include raw material stores-preheating plastic and film-drying of painted products - fabric drying-curing ovens and moisture control in nurseries and glasshouses.

FORCED VENTILATION

In summer and with the heaters turned off, the blower force ventilates the area previously heated, providing a more comfortable personal environment.

FEATURES

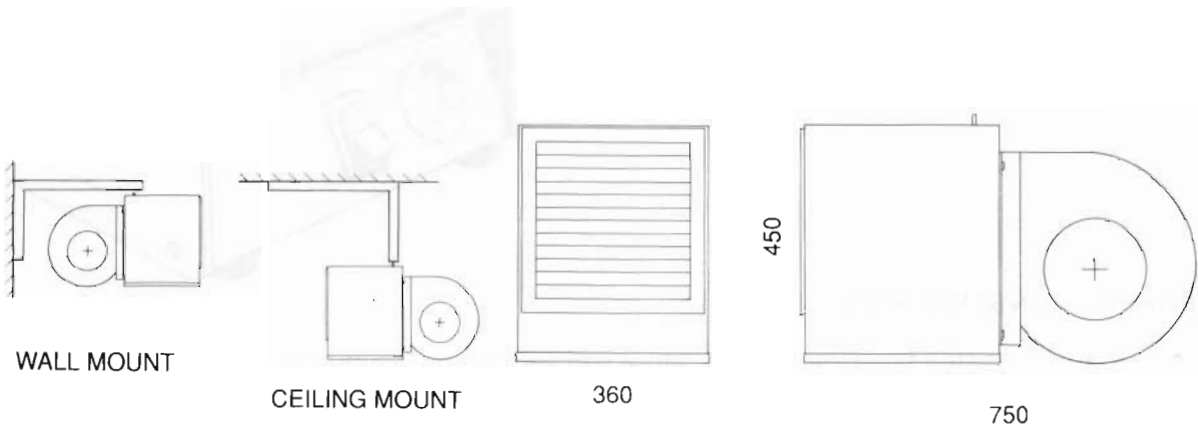
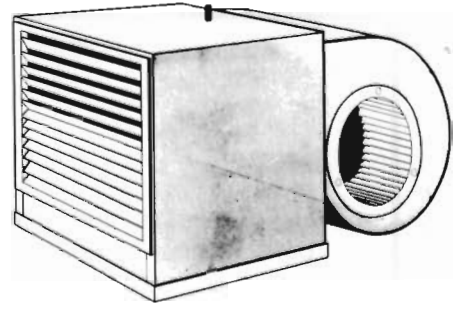
All Helios blower heaters are fitted with a powerful 250 watt ball-raced centrifugal fan which delivers up to 2400 cubic metres of air per hour. The forced air is directed through finned tubular heaters and exits through an adjustable louver grille. An overtemperature safety thermostat is fitted together with a variable speed fan control. A high quality enamel coating ensures an attractive durable finish.

INSTALLATION

For ease of installation all internal wiring, manual re-set safety thermostat, solid state variable speed control, three phase mains isolating switch and a contactor are factory installed. All that remains is to mount the blower heater where required and connect to supply.

MOUNTING

A dual purpose mounting frame is available enabling either wall or ceiling mounting. Weight approx. 30kg.



WALL MOUNT

CEILING MOUNT

360

750

CATALOGUE NUMBER	KILOWATT RATING	APPROXIMATE AIR DELIVERY - TEMP RISE		
		MAXIMUM SPEED 2400M ³ /HR	MID SPEED 1400M ³ /HR	MINIMUM SPEED 700M ³ /HR
HBH 4.5	4.5	5 DEG C	9 DEG C	18 DEG C
HBH 9.0	9.0	10 DEG C	18 DEG C	36 DEG C
HBH 13.5	13.5	15 DEG C	27 DEG C	54 DEG C
HBH 18.0	18.0	20 DEG C	36 DEG C	72 DEG C

AIR MOVEMENT AT MAXIMUM SPEED IS APPROXIMATELY 20 METRES.

INTAKE AIR SHOULD NOT EXCEED 50°C

VERTICAL MOUNTING IS NOT RECOMMENDED.